

IGBT-MPB series

IGBT Snubber Capacitors Type (Lug Terminal)

◆ Features

- » High peak & RMS current capability
- » Self-healing property.
- » Low DF, Low ESR, Low ESL
- » Strap terminals, tinned copper (max. torque 10 Nm)
- » UL 94 V-0 resin end fill (flame retardant execution)



◆ Construction

- » THE Type-MPB is constructed with special extended double metallized carrier film with internal series connection and metallized film, Tinned copper Lug terminal, encapsulated in UL 94V-0 plastic case with epoxy resin sealed..

◆ Applications

- » Snubber capacitor for energy conversion and control in power semiconductor circuits, protection circuits in SMPs, induction heaters , high voltage, high current and high pulse applications.

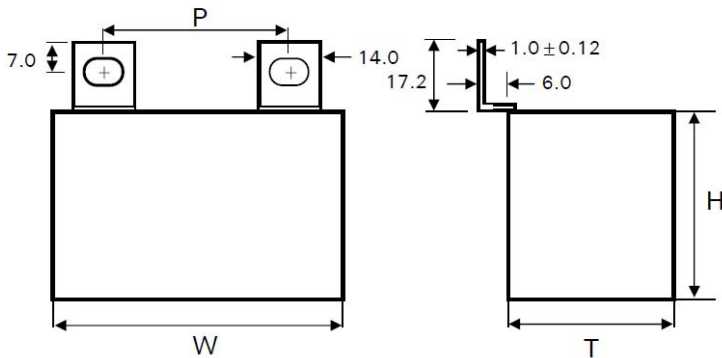
◆ Specification

- » Operating temperature: $-40^{\circ}\text{C} \sim +85^{\circ}\text{C}$
- » Climatic category: 40/85/56 (IEC 60068-1)
- » Capacitance range: $0.1 \mu\text{F} \sim 3.3 \mu\text{F}$
- » Capacitance tolerance: $J=\pm 5\%$, $K=\pm 10\%$
- » Rated voltage (RV): 1000, 1200, 1600, 2000 Vdc
- » Dissipation factor (DF): $C \leq 1.0 \mu\text{F}$ DF=0.05% max , $C > 1.0 \mu\text{F}$ DF=0.06% max (at 1KHz 25°C)
- » Testing voltage (TV): 160% of RV applied for 10sec / 200% of RV applied for 2sec.
- » Insulation resistance (IR) 25°C : $C \leq .33 \mu\text{F}$, $\geq 100,000\text{M}\Omega$, $C > .33 \mu\text{F}$, $\geq 33,000\text{M}\Omega \times \mu\text{F}$, Measured at $100 \pm 15\text{vdc}$, 60s
- » Reference standard : IEC 61071
- » Life expectancy : $\geq 100,000$ hours(RV)

◆ Dimension

"S" STYLE TERMINAL LUGS

UNITS : mm

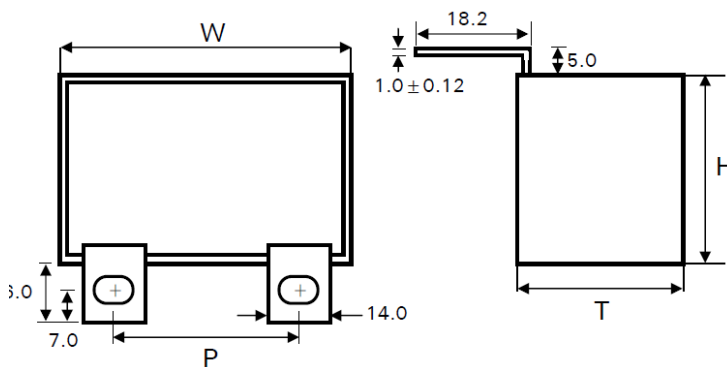


W mm	P mm
43.0	23 - 27
58.0	24 - 42

Lugs	Elliptic hole
M8	8.5mm X 10mm
M6	6.5mm X 8.5mm

"B" STYLE TERMINAL LUGS

UNITS : mm



W mm	P mm
43.0	23 - 27
58.0	24 - 42

Lugs	Elliptic hole
M8	8.5mm X 10mm
M6	6.5mm X 8.5mm

1000VDC/480VAC

Capacitance (uF)	W mm ±0.5	H mm ±0.5	T mm ±0.5	ESR (mΩ)	dv/dt (V/us)	Ipeak (A)	Irms 70 °C (100KHz A)
0.47	43	28	25	4	870	409	14
0.68	43	28	25	3.3	870	592	16.5
0.75	43	28	25	3.2	870	653	17.5
1	43	28	25	2.5	870	870	21.5
1.2	43	36	34	2.5	870	1044	23.5
1.5	43	36	34	2.2	870	1305	25
2	43	46	34	2	870	1740	28
2.2	58	45	31	2.5	500	1100	27.5
3	58	50	35	2.1	500	1500	32
3.3	58	50	35	2	500	1650	32.5

1200VDC/500VAC

Capacitance (uF)	W mm ±0.5	H mm ±0.5	T mm ±0.5	ESR (mΩ)	dv/dt (V/us)	Ipeak (A)	Irms 70 °C (100KHz A)
0.33	43	28	25	5.1	1000	330	12
0.39	43	28	25	4.6	1000	390	13
0.47	43	28	25	4.1	1000	470	15
0.56	43	28	25	3.7	1000	560	16
0.68	43	36	34	3.3	1000	680	20
0.82	43	36	34	3	1000	820	21
1	43	36	34	2.7	1000	1000	22.5
1.2	43	46	34	2.4	1000	1200	25

1600VDC/630VAC

Capacitance (uF)	W mm ±0.5	H mm ±0.5	T mm ±0.5	ESR (mΩ)	dv/dt (V/us)	Ipeak (A)	Irms 70 °C (100KHz A)
0.22	43	28	25	6.1	1220	268	11
0.33	43	28	25	4.6	1220	403	14
0.39	43	28	25	4.3	1220	476	14.5
0.47	43	36	34	3.7	1220	573	19
0.68	43	36	34	3	1220	830	21
1	43	46	34	2.5	1220	1220	23
1.5	58	50	35	2.5	725	1088	29.5
2	58	50	35	3.7	725	1450	31

2000VDC/700VAC

Capacitance (uF)	W mm ±0.5	H mm ±0.5	T mm ±0.5	ESR (mΩ)	dv/dt (V/us)	Ipeak (A)	Irms 70 °C (100KHz A)
0.1	43	28	25	12.5	1600	160	8.5
0.15	43	28	25	7.5	1600	240	11
0.22	43	28	25	5.1	1600	352	13.5
0.33	43	36	34	4.1	1600	528	18
0.47	43	46	34	3.3	1600	752	22
0.56	43	46	34	3	1600	896	23
0.68	58	45	31	3.5	930	632	23
1	58	50	35	2.8	930	930	28
1.2	58	50	35	2.4	930	1116	29.5

Please contact us for special dimensions or items not listed.
 All product specification and data are subject to change without notice.